

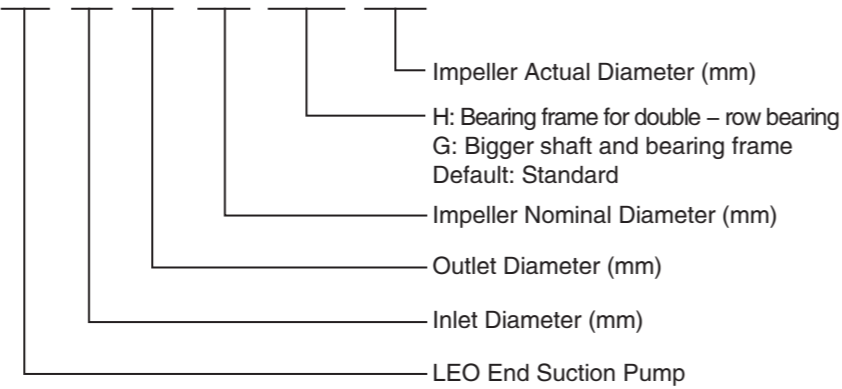


Applications

- Water supply systems
- Pressure boosting
- Heating systems for commercial buildings and district heating
- Cooling plants for industrial processing and air-conditioning units
- General transport for industrial processes
- Fire fighting system

Identification Codes

LEP 50-32-130 H(G)/139



Working Conditions

- Pump design complies to BS EN 733/DIN 24255 standard
- Conveying medium: Low viscosity, non-inflammable and non-explosive liquids not containing solid particles or fibers
- Speed: 1450/2900 rpm at 50 Hz, 1750/3500 rpm at 60 Hz
- Flow range: 0.5 - 440 l/s
- Head range: 2 - 152 m
- Max. liquid temperature: 105°C
- Liquid pH value: 4 - 10
- Max. operation pressure: 10 bar, 16 bar on request

Design & Structure

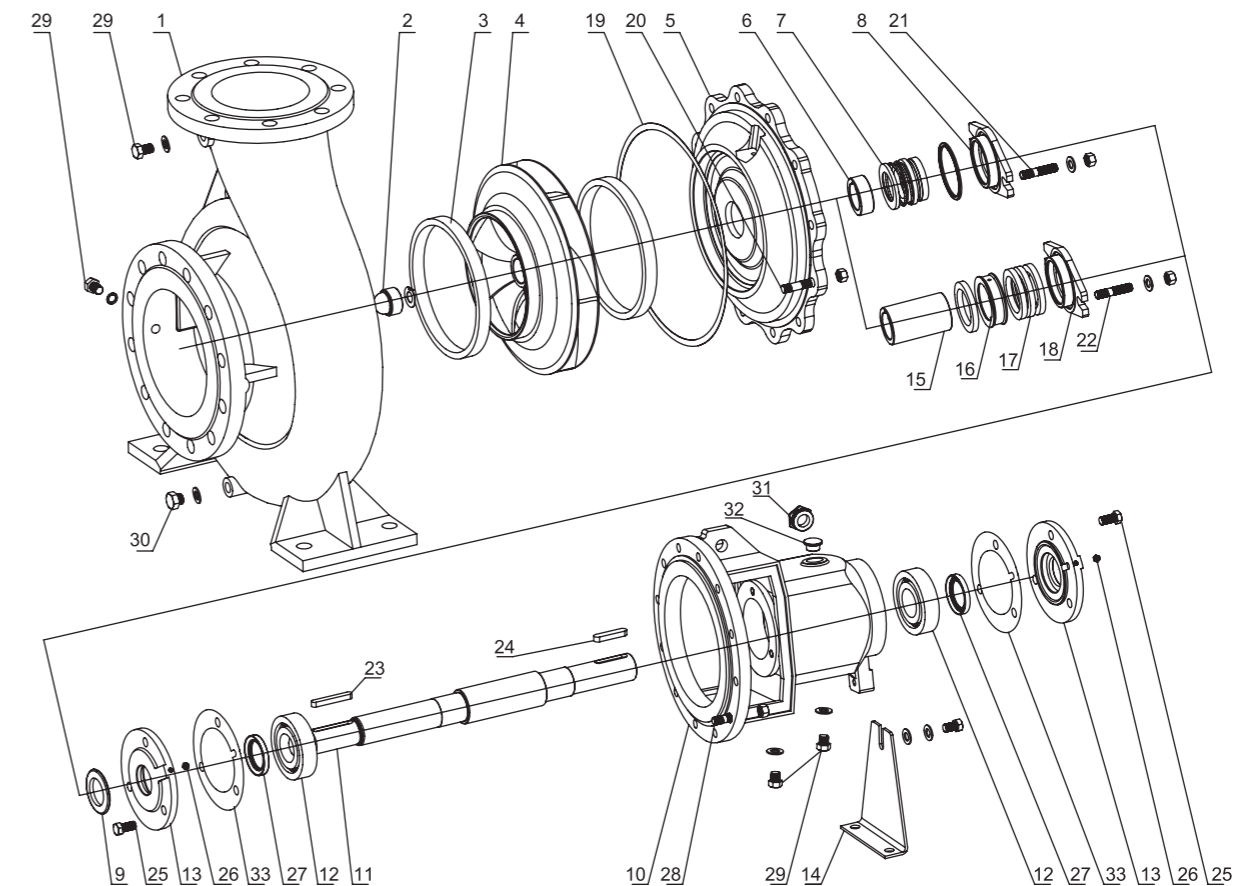
Design	Performance and dimensions referring to the European standard BS EN733/DIN24255
Structure	Horizontal, Axial End-Suction, Single-Stage, Single-Suction, Volute Casing, Back pull-out
DN(mm)	Inlet: 50-350 Outlet: 32-300
Flange	ISO7005.2 ; DIN2501 PN16 ; GB/T17241.6 PN1.6

Materials Table

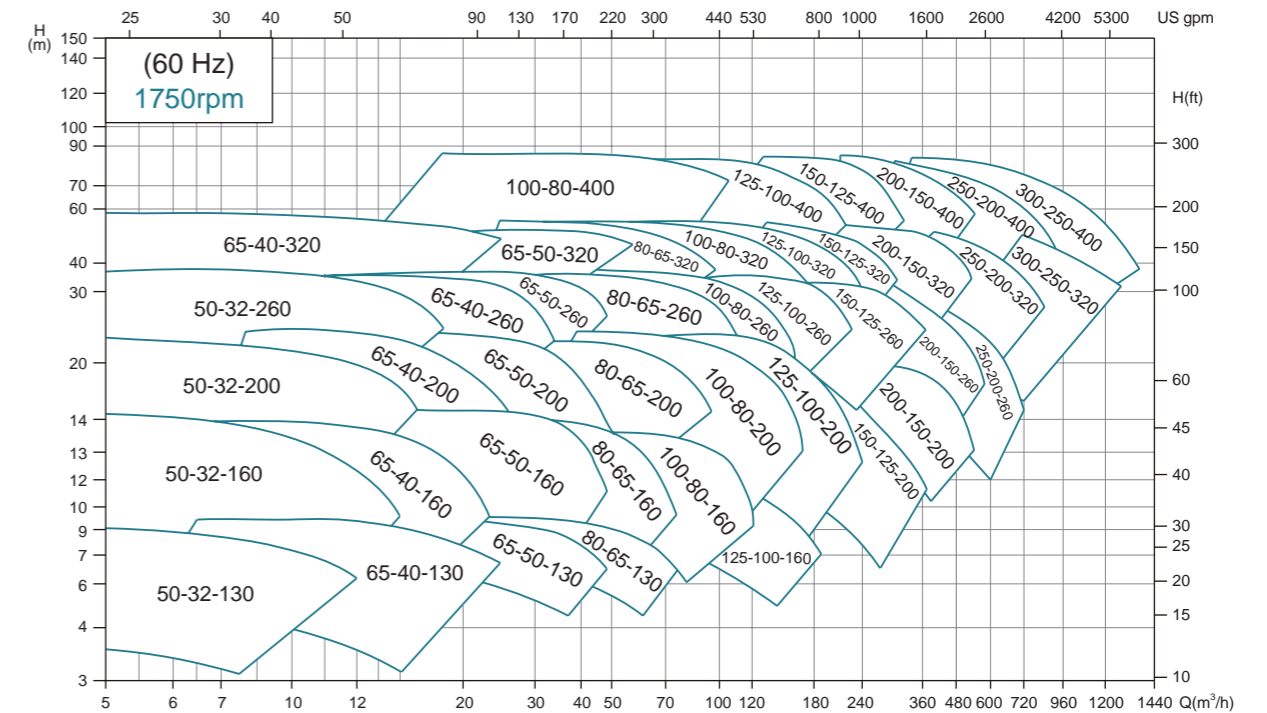
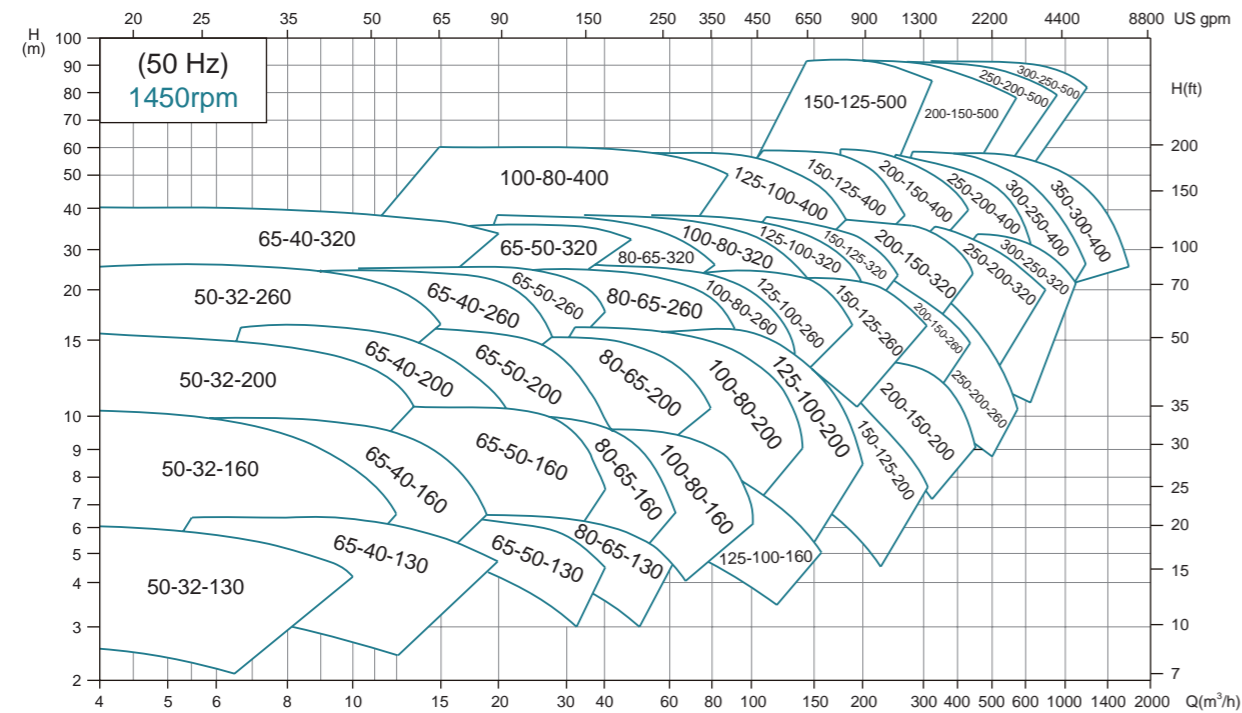
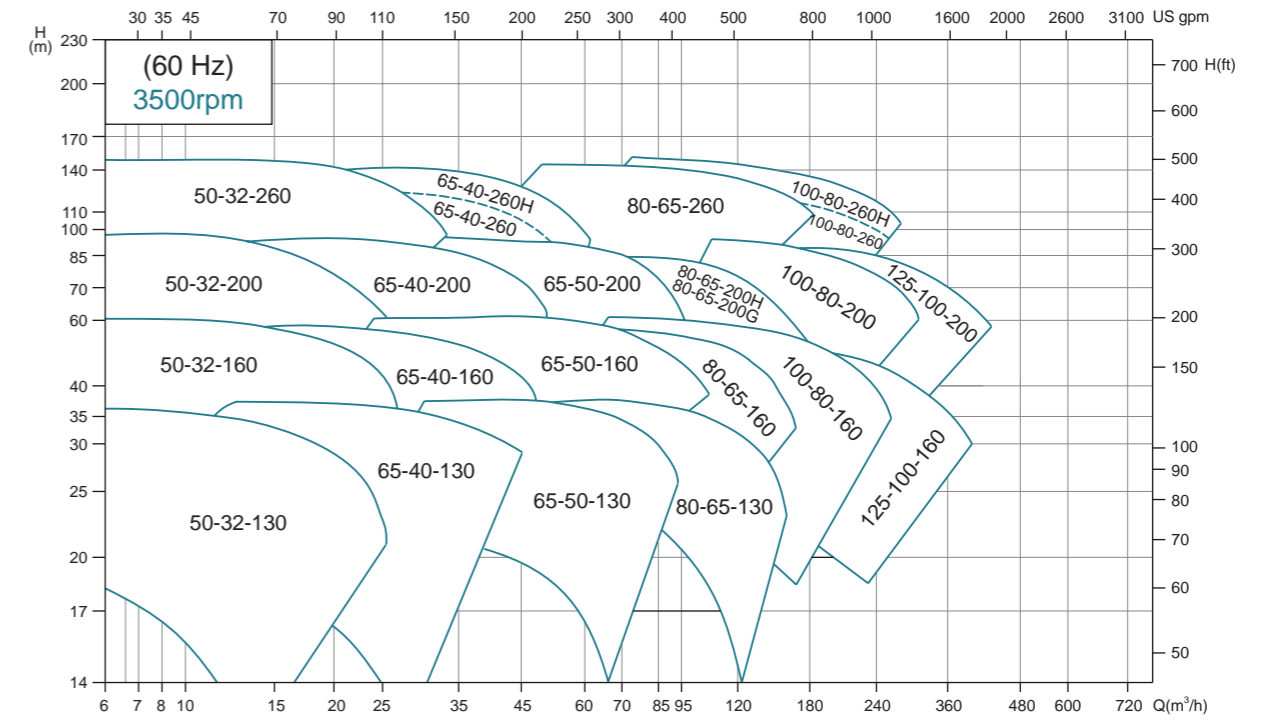
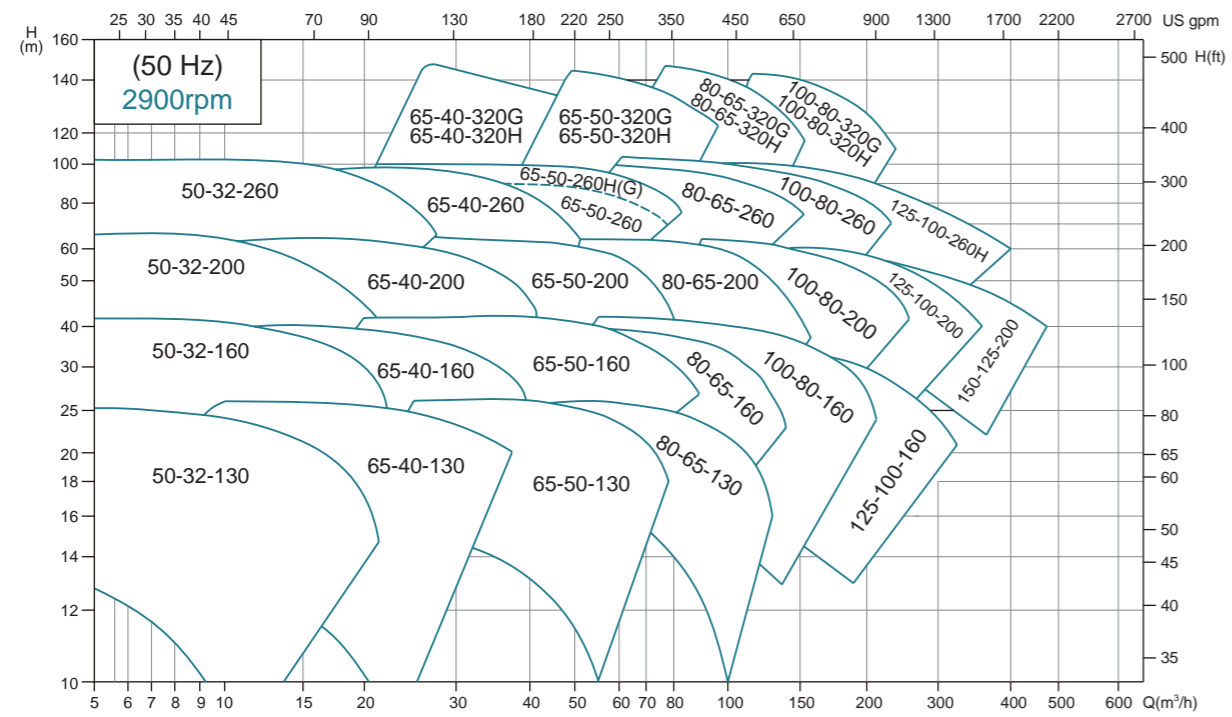
No.	Part	Material
1	Pump casing	Ductile Iron 304/316
2	Impeller nut	
3	Wear ring	
4	Impeller	Cut Iron 304/316
5	Casing cover	
6	Shaft spacer	
7	Mechanical seal	
8	Seal cover	
9	Rubber slinger	
10	Bearing frame	
11	Shaft	304/316/1045

No.	Part	Material
12	Bearing	
13	Bearing cover	
14	Support foot	
15	Packing sleeve	Bronze
16	Packing seal cage	
17	Gland packing	
18	Gland cover	
19	Casing gasket	
20	Nut	
21	Nut	
22	Nut	

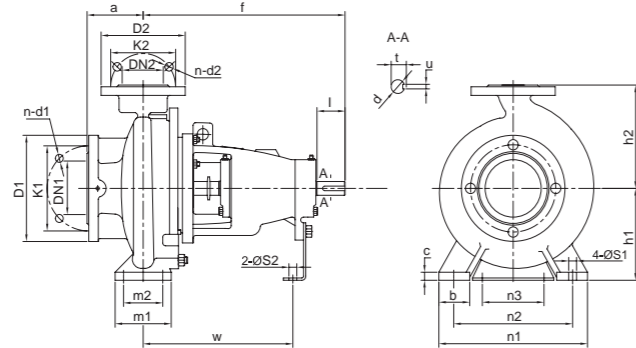
No.	Part	Material
23	Key	
24	Key	
25	Bolt	
26	Oil nipple	
27	Oil seal	
28	Nut	
29	Washer	
30	Washer	
31	Oil scale	
32	Oil cover	
33	Bearing Cover Gasket	



Characteristic Curves



Installation Dimensions



Model	Bearing ID (mm)	DN2	DN1	a	f	h1	h2	b	c	n3	m1	m2	n1	n2	S1	S2	w	d	l	t	u	Weight (Kg)
LEP50-32-130						112	140			100			190	140								29
LEP50-32-160	25	32	50	80	360	132	160	50	14		100	70	240	190	14	14						35
LEP50-32-200						160	180			110	125	95	320	250								47
LEP50-32-260						180	225	65														58
LEP65-40-130						112	140						210	160			267	24	50	27	8	31
LEP65-40-160	25			80	360	132	160	50		100	100	70	240	190								34
LEP65-40-200						160	180						265	212								45
LEP65-40-260(H)						180	225						320	250								61
LEP65-40-320	35					200	250	65		110	125	95	345	280			342	32	80	35	10	94
LEP65-40-320(H)						200	250										367	42	110	45	12	107
LEP65-40-320G	45					200	250		14													105
LEP65-50-130						132	160			100			240	190								35
LEP65-50-160						160	180	50			100	70	265	212	14		267	24	50	27	8	39
LEP65-50-200	25					160	200						265	212								49
LEP65-50-260(H)						180	225						320	250								68
LEP65-50-260G						180	225	65			125	95	320	250			344	32	80	35	10	65
LEP65-50-320(H)	35					225	280		18				345	280			342	32	80	35	10	113
LEP65-50-320G	45	50	65	125	526	225	280		18		125	95	345	280			367	42	110	45	12	105
LEP80-65-130						160	180						280	212								41
LEP80-65-160	25					160	200	65	14		125	95	280	212			267	24	50	27	8	47
LEP80-65-200(H)						180	225						320	250								55
LEP80-65-200G						465	180	225					320	250			339					60
LEP80-65-260	35					200	250		15				360	280			342	32	80	35	10	87
LEP80-65-320(H)						225	280	80	18		160	120	400	315	18		367	42	110	45	12	110
LEP80-65-320G	45					526	225	280	18				400	315			367	42	110	45	12	120
LEP100-80-160	25					180	225	65	14		125	95	320	250	14		267	24	50	27	8	53
LEP100-80-200						180	250						345	280								76
LEP100-80-260(H)	35					200	280		15				400	315			342	32	80	35	10	95
LEP100-80-320(H)						250	315	80	16				400	315			367	42	110	45	12	118
LEP100-80-320G	45					526	250	315	16				440	340	18		370	42	110	45	12	130
LEP100-80-400						280	355	83	18		160	120	440	340			370	42	110	45	12	160
LEP125-100-160	35					200	250	80	15				360	280			342	32	80	35	10	87
LEP125-100-200						200	280						400	315								84
LEP125-100-260(H)	35					225	280	80	16				400	315			342	32	80	35	10	102
LEP125-100-320						250	315						400	315								118
LEP125-100-400	45					530	280	355	100	20			450	350	23		370	42	110	45	12	176
LEP150-125-200						250	315	80	16				400	315								112
LEP150-125-260	35					470	250	355	80	16			400	315	18		342	32	80	35	10	117
LEP150-125-320						280	355		18				500	400								155
LEP150-125-400	45	125	150			315	400		25				550	450			370	42	110	45	12	178
LEP150-125-500	55					670	355	450					550	450			500	48	110	51	14	300
LEP200-150-200	35					555	280	400					400	315			342	32	80	35	10	132
LEP200-150-260						250	355	100	18				450	350	23							163
LEP200-150-320	45					530	280	400					450	350			370	42		45	12	170
LEP200-150-400						315	450						550	450								207
LEP200-150-500	55					670	375	500	22				550	450			500	48	110	51	14	330
LEP250-200-260	45					555	315	450					550	450			392	42		45	12	219
LEP250-200-320						315	480		20				600	480	28							286
LEP250-200-400	55					670	335	480	120	20			600	480			505	48		51	14	328
LEP250-200-500	65	200	250	200	720	425	560	100	22	140	200	150	660	560	23	19	515	60	140	64	18	450
LEP300-250-320						691	355	520					660	510	28	14	525	60	140	64	18	366
LEP300-250-400	55					682	400	560					750	650	23	19	516	48	110	51	14	396
LEP300-250-500	65	250	300	200	720	450	670	120	32	140	240	190	750	650	23	19	515	60	140	64	18	550
LEP350-300-400	65	300	350	300	720	425	670	120	30	140	250	190	760	660	30	19	515	60	140	64	18	550

(ISO7005.2 DIN2501 PN16 GB/T17241.6 PN1.6)

DN1/DN2	32	40	50	65	80	100	125	150	200	250	300	350	400
D1/D2	140	150	165	185	200	220	250	285	340	405	460	520	580
K1/K2	100	110	125	145	160	180	210	240	295	355	410	470	525
n-d1/n-d2	4-φ18	4-φ18	4-φ18	4-φ18	8-φ18	8-φ18	8-φ18	8-φ22	12-φ22	12-φ26	12-φ26	16-φ26	16-φ30

